



This data sheet
interacts with

PRT2 Catalogue



19

HepcoMotion®

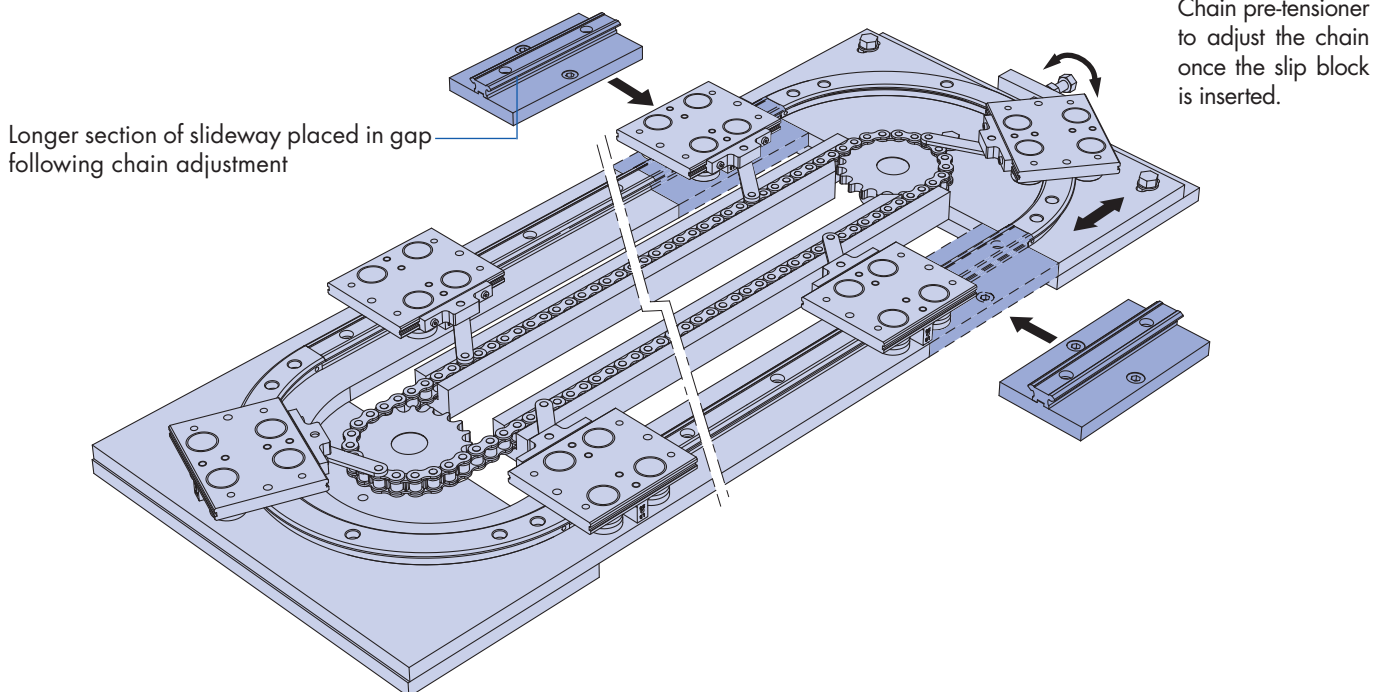
No. 10 Slip Block Adjustment

Track systems driven via a chain may benefit from a means of adjustment for tensioning and to allow for subsequent wear and stretch. This can be achieved by adjusting the position of one of the drive sprockets. Where a large amount of adjustment is anticipated or where the path of the chain must follow in exact relationship to the path of the track, the ring segment must also be adjusted. This would leave a gap between the end of the ring segment and the straight slide. To accommodate this Hepco can supply track systems with built in slip block adjustment.

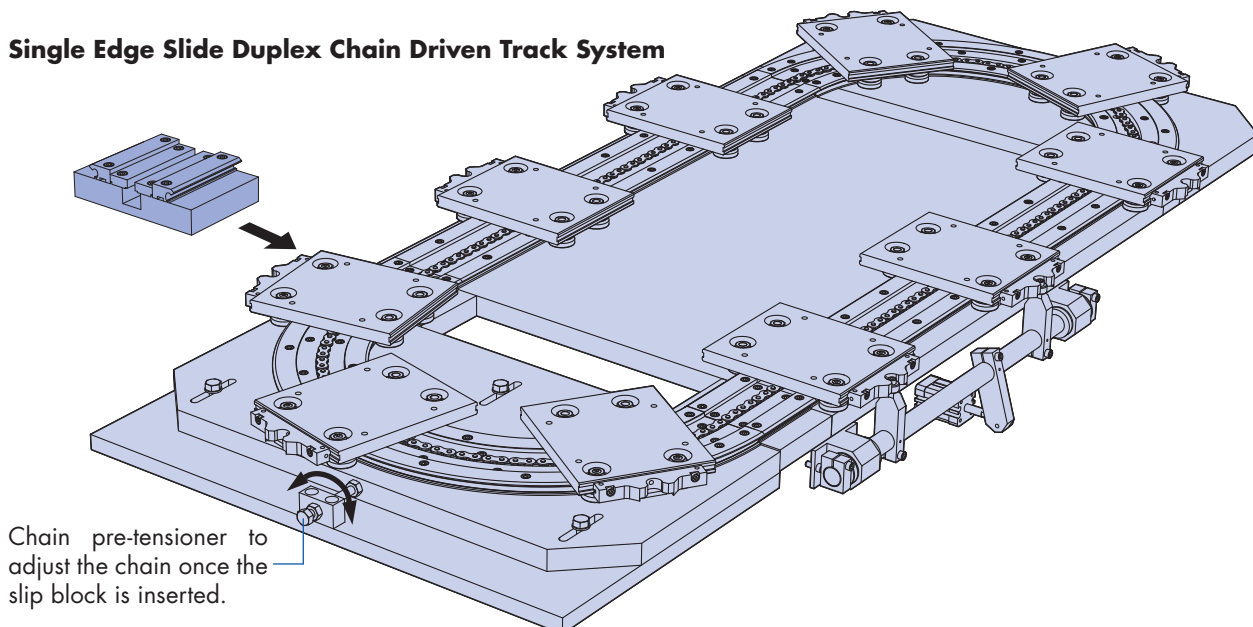
This includes removable sections of straight slide, positioned at the end of the ring segment, that can be replaced with sets of slides in various length increments, precisely matched to the dimensions of the track system, and square ground ends.

Each slide will be marked according to its length, and can be supplied with a mounting plate to customers drawing for ease of assembly. For single edge track systems it is recommended that slides are supplied with a mounting plate to ensure accuracy of slide mounting. Please contact Hepco's technical department for more information.

Double Edge Slide Chain Driven Track System



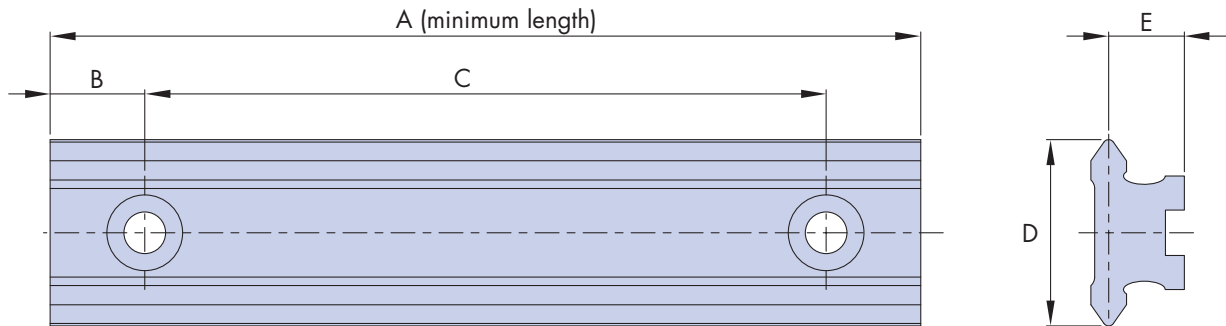
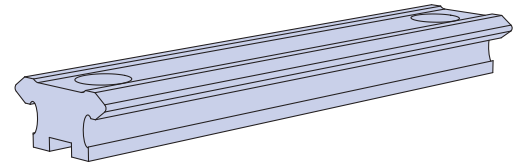
Single Edge Slide Duplex Chain Driven Track System



No. 10 Slip Block Adjustment

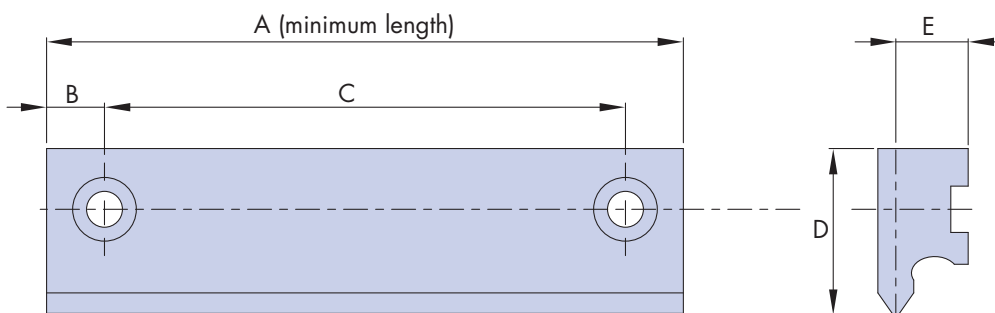
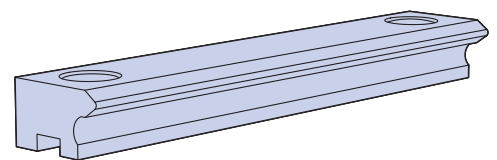
Track system double and single edge slides are available for use with the slip block arrangement, minimum lengths are shown below. All dimensions not mentioned are the same as standard track system slides and can be found on pages 42-43 (double edge slides) and page 45 (single edge slides) of the main PRT2 catalogue.

Double Edge Slides



Part Number	A (min)	B (min)	C	D ~	E
TNMS12 SBS	65	10	45	12	6.2
TNV20 SBS	110	10	90	20	8
TNS25 SBS	110	10	90	25	10
TNM44 SBS	110	10	90	44	12.5
TNL76 SBS	220	20	180	76	19.5

Single Edge Slides



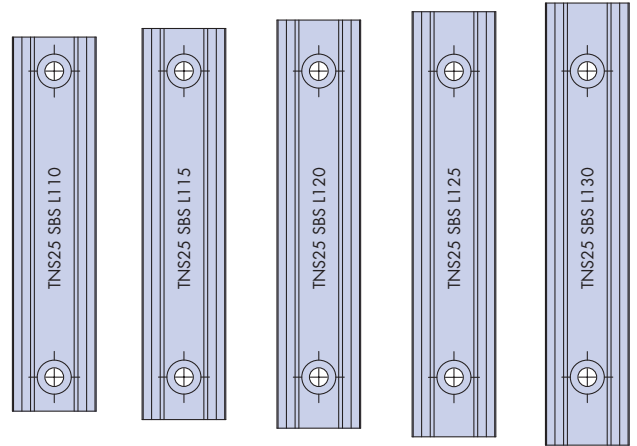
Part Number	A (min)	B (min)	C	D ~	E
TNSE SBS	110	10	90	21	10
TNME SBS	110	10	90	29	12.5

Note:

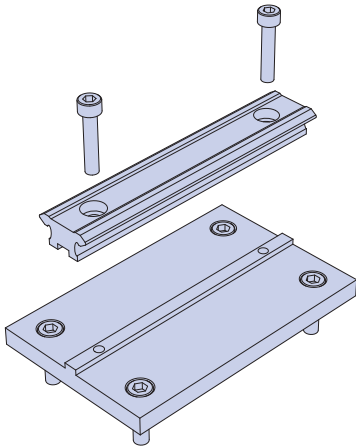
1. Minimum lengths are shown above, lengths can be supplied to suit customer requirement.
2. Slip block slides should be ordered at the same time as the track system to ensure slide ends are matched correctly, see ordering example for more information.

No. 10 Slip Block Adjustment

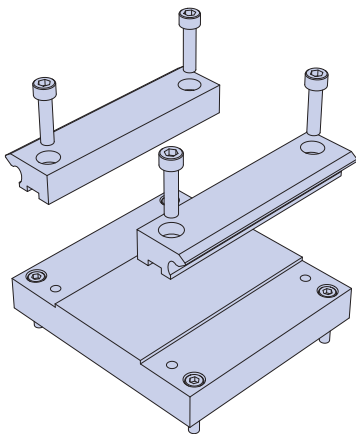
Slip block slides will be supplied in sets of various lengths to suit the application. They can be supplied in increments of any length, to ensure the slides are precisely matched please specify number of slides and lengths required at the same time as ordering the track system, see ordering details for more information. The slides will be etched with the part number and length for easy identification (as illustrated in right hand image).



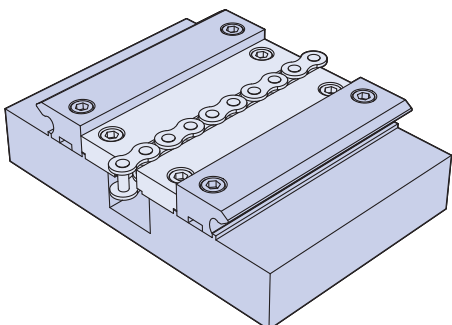
Mounting plates can be supplied with slip block slides to suit a particular application, some examples are shown below. Mounting plates will be designed to suit the existing system, it is recommended to order at the same time as the track system to ensure it is designed and matched correctly, please contact Hepco's technical department to discuss your requirements.



Double edge slide shown assembled to a mounting plate with slide keyway register.



Single edge slides with mounting plate supplied to match single edge duplex track system.

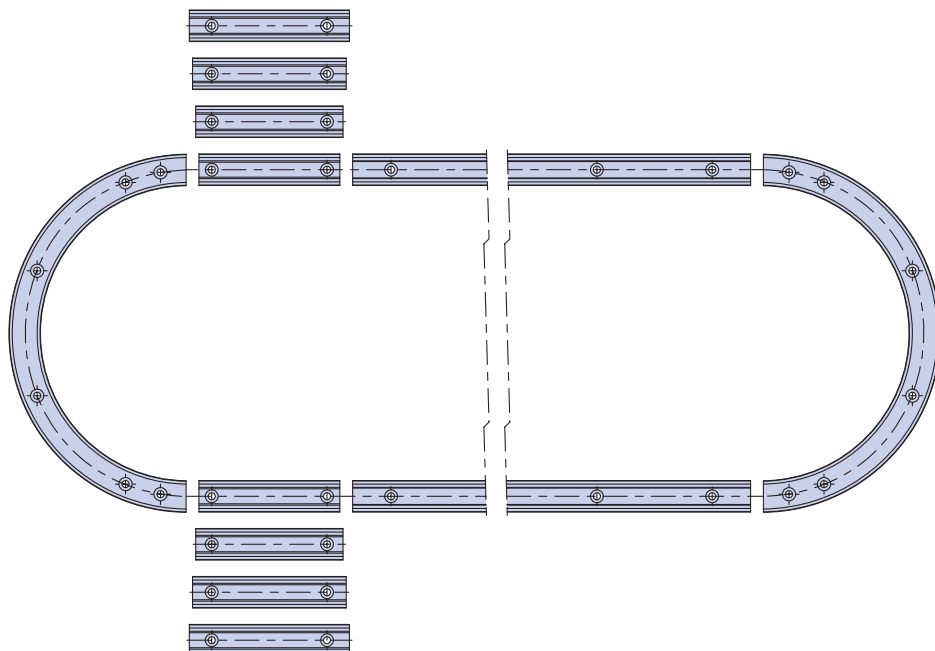


Single edge slides with chain guides and mounting plate, supplied to match single edge duplex chain driven system.

No. 10 Slip Block Adjustment

Ordering Details

This data sheet shows details of the slip block slides that are available to order. Slip block slide sets and any required mounting plates should be ordered at the same time as ordering the complete track system, see ordering examples below. For more information or advice to suit a particular application, please contact Hepco's technical department.



Ordering Example 1

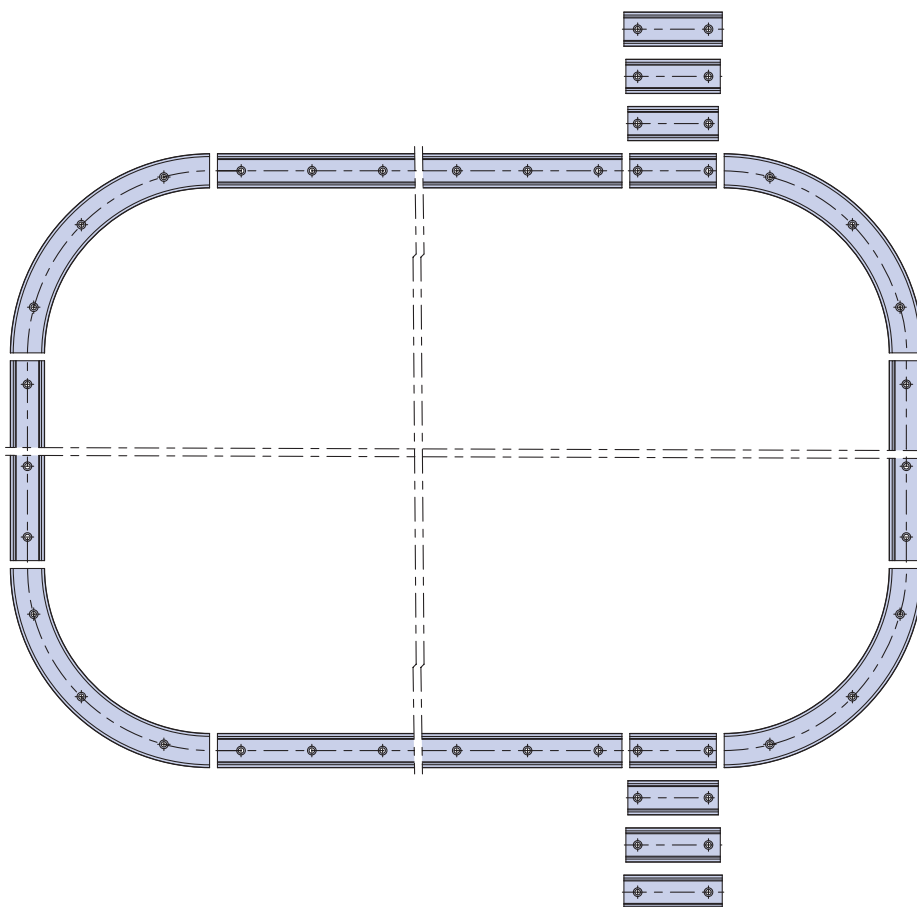
1 x TR25 255 R180/C
1 x TNS25 SBS B110
1 x TNS25 B3840 2 x AK
1 x TR25 255 R180/C
1 x TNS25 B3840 2 x AK
1 x TNS25 SBS B110

2 x TNS25 SBS B111
2 x TNS25 SBS B112
2 x TNS25 SBS B113

Ordering Example 2

1 x TR44 468 R90/C
1 x TNM44 B7620 2 x AK
1 x TNM44 SBS B110
1 x TR44 468 R90/C
1 x TNM44 B1140
1 x TR44 468 R90/C
1 x TNM44 SBS B110
1 x TNM44 B7620 2 x AK
1 x TR44 468 R90/C
1 x TNM44 B1140

2 x TNM44 SBS B112
2 x TNM44 SBS B114
2 x TNM44 SBS B116



HepcoMotion®, Lower Moor Business Park,
Tiverton Way, Tiverton, Devon, England EX16 6TG

Tel: +44 (0) 1884 257000

Fax: +44 (0) 1884 243500

E-mail: sales@hepcotion.com

Web: www.HepcoMotion.com

